



Post Office Box 1789
Amarillo, Texas 79105
2401 Sundown Lane (79118)
Ph. 806 622 1273
Fax 806 622 3258

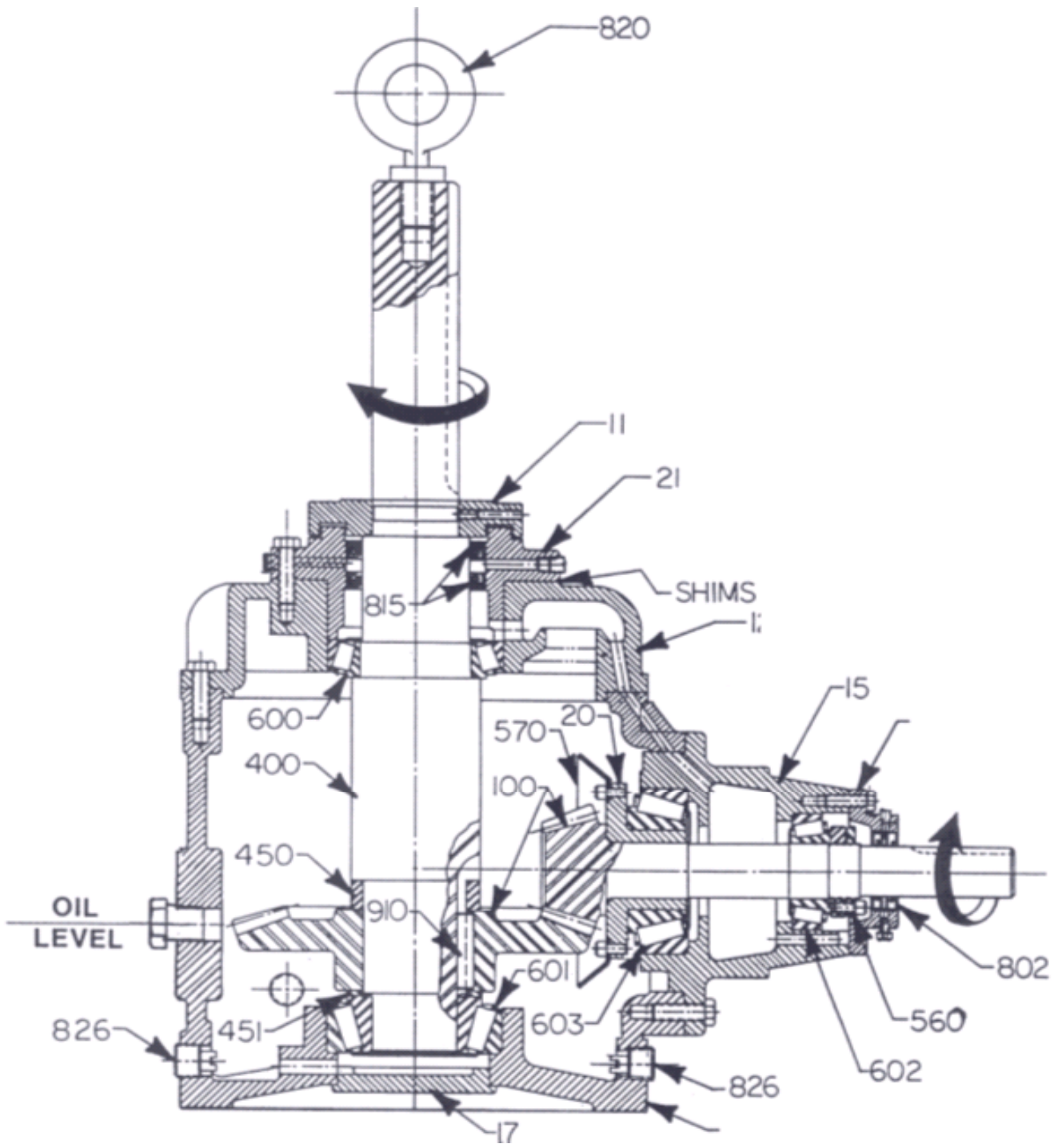
Instructions for Using Parts List for Single Reduction Fan Drives

1. These parts lists are for current production models from the model 65 - 175 and A20 - A27.
Contact Amarillo Gear Company for prices.
2. To make sure you get the correct parts, always provide the serial number of the gear drive when ordering parts.
3. A general single reduction fan drive drawing is provided for parts identification.



A member of The Marmon Group of companies

Copyright ©2003 Amarillo Gear Co.





Post Office Box 1789
 Amarillo, Texas 79105
 2401 Sundown Lane (79118)
 Ph. 806 622 1273
 Fax 806 622 3258

Model 65A* Parts List		
Ref. No.	Part No.	Description
10	F1-10	Gear Case
11	F1-11	Upper Seal Plate
12	F1-12	Vertical Carrier
15	F1-15A	Horizontal Carrier
16	F1-16A	Horizontal Seal Plate
17	F2-17B	Bottom Plug
18	F1-18	Inspection Plate
20	F1-20A	Bearing Bushing
21	F1-21	Vert Seal Carrier
400	21035	Output Shaft
422	N/A	Gear Mount
450	450-65	Above Gear Spacer
451	451-65	Under Gear Spacer
560	2-N06/1-W06	Horiz Locknut Set
570	21010	Oil Slinger
+600	JLM104910/48	Vert Upper Bearing
+601	55437/187C	Vert Lower Bearing
+602	M86610/49	Horiz Outer Bearing
+603	HM88610/48	Horiz Inner Bearing
+802	SH 65	Standard Horiz Seal Set - CR Seal #9837, qty 2
+815	SV 65	Standard Vertical Seal Set - Nat'l Seal #450279, qty 2
820	3/4 X 1-1/4	Eye Bolt
823	M 313650	Breather Plug
+824	SM 65	Vertical Shim Set
+825	G 65	Gasket Set (below S/N 231989)
	51531	Loctite Gasket Sealant 50ml tube (S/N 231989 & above)
826	PP .375SQ	Oil Drain Plug
910	MK 7498-1	Gear Key
---	P1030-3	Oil Level Sight Gauge
+100	100	Spiral Bevel Gear Set, ratios 2.5:1 thru 4.5:1
+100	100	Spiral Bevel Gear Set, ratios 2:1, 5:1

* For Model 65 part prices contact factory

+Recommended Spare Parts

MINIMUM ORDER VALUE - \$100.00 NET.

*SOME PART NUMBERS DETERMINED BY RATIO AND/OR OPTIONAL FEATURES.
 ALWAYS PROVIDE SERIAL NUMBER OF DRIVE WHEN ORDERING PARTS FOR
 VERIFICATION.*



Post Office Box 1789
 Amarillo, Texas 79105
 2401 Sundown Lane (79118)
 Ph. 806 622 1273
 Fax 806 622 3258

Model 85 Parts List		
Ref. No.	Part No.	Description
10	F2-10	Gear Case
11	F2-11	Upper Seal Plate
12	F2-12	Vertical Carrier
15	F2-15	Horizontal Carrier
16	F2-16A	Horizontal Seal Plate
17	F2-17B	Bottom Plug
18	S-18	Inspection Plate
20	F2-20	Bearing Bushing
21	F2-21	Vert Seal Carrier
400	22009	Output Shaft
422	N/A	Gear Mount
450	450-85	Above Gear Spacer
451	451-85	Under Gear Spacer
560	1231	Horiz Locknut Set
570	22008	Oil Slinger
+600	JLM710910/49	Vert Upper Bearing
+601	JHM807012/45	Vert Lower Bearing
+602	25821/77	Horiz Outer Bearing
+603	JHM807012/45	Horiz Inner Bearing
+802	SH 85	Standard Horiz Seal Set - CR Seal #12456, qty 2
+815	SV 85	Standard Vertical Seal Set - CR Seal #24897, qty 2
820	3/4 X 1-1/4	Eye Bolt
823	M 313650	Breather Plug
+824	SM 85	Vertical Shim Set
+825	GC 85	Gasket Set-Complete (below S/N 231989)
	51531	Loctite Gasket Sealant 50ml tube (S/N 231989 & above)
826	PP .5SQ	Oil Drain Plug
910	MK 7498-2	Gear Key
---	M AS240	O-ring for F2-21
---	P1030-4	Oil Level Sight Gauge
+100	100	Spiral Bevel Gear Set, ratios 3.25:1 thru 6:1
+100	100	Spiral Bevel Gear Set, ratios 3:1, 6.5:1

+Recommended Spare Parts

MINIMUM ORDER VALUE - \$100.00 NET.

SOME PART NUMBERS DETERMINED BY RATIO AND/OR OPTIONAL FEATURES.
 ALWAYS PROVIDE SERIAL NUMBER OF DRIVE WHEN ORDERING PARTS FOR
 VERIFICATION.



Post Office Box 1789
 Amarillo, Texas 79105
 2401 Sundown Lane (79118)
 Ph. 806 622 1273
 Fax 806 622 3258

Model 110 Parts List		
Ref. No.	Part No.	Description
10	F3-10A	Gear Case
11	F3-11	Upper Seal Plate
12	F3-12	Vertical Carrier
15	F3-15A	Horizontal Carrier
16	F3-16A	Horizontal Seal Plate
17	F4-17	Bottom Plug
18	E-18	Inspection Plate
20	F3-20	Bearing Bushing
21	F4-21	Vert Seal Carrier
400	23009	Output Shaft
422	N/A	Gear Mount
450	450-110	Above Gear Spacer
451	451-110	Under Gear Spacer
560	2230	Horiz Locknut Set
570	23008	Oil Slinger
+600	LM814810/49	Vert Upper Bearing
+601	H715311/45	Vert Lower Bearing
+602	332/6	Horiz Outer Bearing
+603	H913810/42	Horiz Inner Bearing
+802	SH 110	Standard Horiz Seal Set - CR Seal #15141, qty 2
+815	SV 110	Standard Vertical Seal Set - CR Seal #29871, qty 2
820	3/4 X 1-1/4	Eye Bolt
823	M 313650	Breather Plug
+824	SM 110	Vertical Shim Set
+825	GC 110	Gasket Set-Complete (below S/N 231989)
	51531	Loctite Gasket Sealant 50ml tube (S/N 231989 & above)
826	PP .75HX	Oil Drain Plug
910	MK 7498-3	Gear Key
---	M AS245	O-ring for F-21
---	P1030-4	Oil Level Sight Gauge
+100	100	Spiral Bevel Gear Set, ratios 3.5:1, 4:1 thru 8:1
+100	100	Spiral Bevel Gear Set, ratio 3.75:1

+Recommended Spare Parts

MINIMUM ORDER VALUE - \$100.00 NET.

SOME PART NUMBERS DETERMINED BY RATIO AND/OR OPTIONAL FEATURES.
 ALWAYS PROVIDE SERIAL NUMBER OF DRIVE WHEN ORDERING PARTS FOR
 VERIFICATION.



Post Office Box 1789
 Amarillo, Texas 79105
 2401 Sundown Lane (79118)
 Ph. 806 622 1273
 Fax 806 622 3258

Model 135 Parts List		
Ref. No.	Part No.	Description
10	F4-10A	Gear Case
11	F4-11	Upper Seal Plate
12	F4-12	Vertical Carrier
15	F4-15B	Horizontal Carrier
16	F4-16A	Horizontal Seal Plate
17	F4-17	Bottom Plug
18	E-18	Inspection Plate
20	F4-20	Bearing Bushing
21	F4-21	Vert Seal Carrier
400	24009	Output Shaft
422	F4-22	Gear Mount
450	450-135	Above Gear Spacer
451	451-135	Under Gear Spacer
560	3268	Horiz Locknut Set
570	24008	Oil Slinger
+600	LM814810/49	Vert Upper Bearing
+601	H715311/45	Vert Lower Bearing
+602	JM205110/49	Horiz Outer Bearing
+603	HH814510/47	Horiz Inner Bearing
+802	SH 135	Standard Horiz Seal Set - CR Seal #18733, qty 2
+815	SV 135	Standard Vertical Seal Set - CR Seal #29871, qty 2
820	3/4 X 1-1/4	Eye Bolt
823	M 313650	Breather Plug
+824	SM 135	Vertical Shim Set
+825	GC 135	Gasket Set-Complete (below S/N 231989)
	51531	Loctite Gasket Sealant 50ml tube (S/N 231989 & above)
826	PP .75HX	Oil Drain Plug
910	MK 7498-4	Gear Key
---	M AS245	O-ring for F4-21
---	P1030-4	Oil Level Sight Gauge
+100	100	Spiral Bevel Gear Set, ratios 4:1, 4.5:1 thru 8:1, 9:1
+100	100	Spiral Bevel Gear Set, ratio 8.5:1

+Recommended Spare Parts

MINIMUM ORDER VALUE - \$100.00 NET.

SOME PART NUMBERS DETERMINED BY RATIO AND/OR OPTIONAL FEATURES.
 ALWAYS PROVIDE SERIAL NUMBER OF DRIVE WHEN ORDERING PARTS FOR
 VERIFICATION.



Model 155 Parts List		
Ref. No.	Part No.	Description
10	F6-10	Gear Case
11	F5-11	Upper Seal Plate
12	F6-12	Vertical Carrier
15	F5-15	Horizontal Carrier
16	F6-16A	Horizontal Seal Plate
17	F5-17	Bottom Plug
18	E-18	Inspection Plate
20	F5-20	Bearing Bushing
21	F6-21	Vert Seal Carrier
400	26009	Output Shaft
422	F6-22	Gear Mount
450	450-155	Above Gear Spacer
451	451-155	Under Gear Spacer
560	3268	Horiz Locknut Set
570	24008	Oil Slinger
+600	JM718110/49	Vert Upper Bearing
+601	9321/80	Vert Lower Bearing
+602	JHM807012/45	Horiz Outer Bearing
+603	9321/80	Horiz Inner Bearing
+802	SH 155	Standard Horiz Seal Set - CR Seal #18733, qty 2
+815	SV 155	Standard Vertical Seal Set - CR Seal #34888, qty 2
820	3/4 X 1-1/4	Eye Bolt
823	M 313650	Breather Plug
+824	SM 155	Vertical Shim Set
+825	GC 155	Gasket Set-Complete (below S/N 231989)
	51531	Loctite Gasket Sealant 50ml tube (S/N 231989 & above)
826	PP .75HX	Oil Drain Plug
910	MK 7498-5	Gear Key
---	M AS253	O-ring for F6-21
---	P1030-4	Oil Level Sight Gauge
+100	100	Spiral Bevel Gear Set, ratios 5:1 thru 8.5:1
+100	100	Spiral Bevel Gear Set, ratio 9:1

+Recommended Spare Parts

MINIMUM ORDER VALUE - \$100.00 NET.

*SOME PART NUMBERS DETERMINED BY RATIO AND/OR OPTIONAL FEATURES.
ALWAYS PROVIDE SERIAL NUMBER OF DRIVE WHEN ORDERING PARTS FOR
VERIFICATION.*



Model 175 Parts List		
Ref. No.	Part No.	Description
10	F5-10	Gear Case
11	F5-11	Upper Seal Plate
12	F5-12	Vertical Carrier
15	F5-15	Horizontal Carrier
16	F6-16A	Horizontal Seal Plate
17	F5-17	Bottom Plug
18	E-18	Inspection Plate
20	F5-20	Bearing Bushing
21	F5-21	Vert Seal Carrier
400	25009	Output Shaft
422	L22 3.75	Gear Mount
450	450-175	Above Gear Spacer
451	451-175	Under Gear Spacer
560	3268	Horiz Locknut Set
570	24008	Oil Slinger
+600	JM718110/49	Vert Upper Bearing
+601	9321/80	Vert Lower Bearing
+602	JHM807012/45	Horiz Outer Bearing
+603	9321/80	Horiz Inner Bearing
+802	SH 175	Standard Horiz Seal Set - CR Seal #18733, qty 2
+815	SV 175	Standard Vertical Seal Set - CR Seal #34888, qty 2
820	3/4 X 1-1/4	Eye Bolt
823	M 313650	Breather Plug
+824	SM 175	Vertical Shim Set
+825	GC 175	Gasket Set-Complete (below S/N 231989)
	51531	Loctite Gasket Sealant 50ml tube (S/N 231989 & above)
826	PP .75HX	Oil Drain Plug
910	MK 7498-5	Gear Key
---	M AS253	O-ring for F5-21
---	P1030-4	Oil Level Sight Gauge
+100	100	Spiral Bevel Gear Set, ratios 6:1 thru 9.5:1
+100	100	Spiral Bevel Gear Set, ratio 5.5:1

+Recommended Spare Parts

MINIMUM ORDER VALUE - \$100.00 NET.

*SOME PART NUMBERS DETERMINED BY RATIO AND/OR OPTIONAL FEATURES.
ALWAYS PROVIDE SERIAL NUMBER OF DRIVE WHEN ORDERING PARTS FOR
VERIFICATION.*



Model A20 Parts List		
Ref. No.	Part No.	Description
10	MF2-10	Gear Case
11	MF2-11	Upper Seal Plate
12	F2-12	Vertical Carrier
15	F2-15	Horizontal Carrier
16	F2-16A	Horizontal Seal Plate
18	N/A	Inspection Plate
20	F2-20	Bearing Bushing
21	MF2-21	Vertical Seal Carrier
100	100	Spiral Bevel Gear Set
400	29006	Output Shaft
422	N/A	Gear Mount
450	450-A20	Above Gear Spacer
451	451-A20	Under Gear Spacer
560	1231	Horiz Locknut Set
570	22008	Oil Slinger
600	JLM710910/49	Vert Upper Bearing
601	JHM807012/45	Vert Lower Bearing
602	25821/77	Horiz Outer Bearing
603	JHM807012/45	Horiz Inner Bearing
802	SH A20	Standard Horiz Seal Set - CR Seal #12456, qty 2
815	SV A20	Standard Vertical Seal Set - CR Seal #24897, qty 2
820	3/4 X 1-1/4	Eye Bolt
823	M313650	Breather Plug
824	SM A20	Vertical Shim Set
825	G A20	Gasket Set (below S/N 231989)
	51531	Loctite Gasket Sealant 50ml (S/N 231989 & above)
826	PP .5M	Oil Drain Plug
910	MK 7498-2	Gear Key
---	N/A	Horizontal Shim Set
---	M AS140	Seal Plate O-ring
---	N/A	Seal Carrier O-ring
---	N/A	MF3-16 O-ring
---	N/A	MF3-15 O-ring

+Recommended Spare Parts

MINIMUM ORDER VALUE - \$100.00 NET.

SOME PART NUMBERS DETERMINED BY RATIO AND/OR OPTIONAL FEATURES. ALWAYS PROVIDE SERIAL NUMBER OF DRIVE WHEN ORDERING PARTS FOR VERIFICATION.



Model A22 Parts List		
Ref. No.	Part No.	Description
10	MF3-10	Gear Case
11	MF3-11	Upper Seal Plate
12	MF3-12	Vertical Carrier
15	MF3-15	Horizontal Carrier
16	MF3-16	Horizontal Seal Plate
18	N/A	Inspection Plate
20	N/A	Bearing Bushing
21	MF3-21	Vertical Seal Carrier
100	100	Spiral Bevel Gear Set
400	27008	Output Shaft
422	F4-22	Gear Mount
450	450-A22	Above Gear Spacer
451	451-A22	Under Gear Spacer
560	2230	Horiz Locknut Set
570	MF3-20	Oil Slinger
600	34306/492A	Vert Upper Bearing
601	78551/250	Vert Lower Bearing
602	3820/3877	Horiz Outer Bearing
603	72487/188C	Horiz Inner Bearing
802	13568	Standard Horiz Seal -CR Seal
815	SV M3	Standard Vertical Seal Set - CR Seal #29871, qty 2
820	E .5 X 1.5	Eye Bolt
823	M313650	Breather Plug
824	SMV M3	Vertical Shim Set
825	N/A	Gasket Set
826	PP .75MHH	Oil Drain Plug
910	MK 7498-4	Gear Key
---	SMH M3	Horizontal Shim Set
---	M AS334	Seal Plate O-ring
---	M AS247	Seal Carrier O-ring
---	M AS155	MF3-16 O-ring
---	M AS358	MF3-15 O-ring

+Recommended Spare Parts

MINIMUM ORDER VALUE - \$100.00 NET.

SOME PART NUMBERS DETERMINED BY RATIO AND/OR OPTIONAL FEATURES. ALWAYS PROVIDE SERIAL NUMBER OF DRIVE WHEN ORDERING PARTS FOR VERIFICATION.



Model A27 Parts List		
Ref. No.	Part No.	Description
10	MF4-10	Gear Case
11	MF4-11	Upper Seal Plate
12	MF4-12	Vertical Carrier
15	F5-15	Horizontal Carrier
16	F6-16A	Horizontal Seal Plate
18	E-18	Inspection Plate
20	F5-20	Bearing Bushing
21	MF4-21	Vertical Seal Carrier
100	100	Spiral Bevel Gear Set
400	28009	Output Shaft
422	L22 3.75	Gear Mount
450	450-A27	Above Gear Spacer
451	451-A27	Under Gear Spacer
560	3268	Horiz Locknut Set
570	24008	Oil Slinger
600	JM718110/49	Vert Upper Bearing
601	9321/80	Vert Lower Bearing
602	JHM807012/45	Horiz Outer Bearing
603	9321/80	Horiz Inner Bearing
802	SH A27	Standard Horiz Seal Set - CR Seal #18733, qty 2
815	SV A27	Standard Vertical Seal Set - CR Seal #34888, qty 2
820	3/4 X 1-1/4	Eye Bolt
823	M313650	Breather Plug
824	SM A27	Vertical Shim Set
825	G A27	Gasket Set (below S/N 231989)
	51531	Loctite Gasket Sealant 50ml tube (S/N 231989 & above)
826	PP .75MHH	Oil Drain Plug
910	MK 7498-5	Gear Key
---	N/A	Horizontal Shim Set
---	M AS337	Seal Plate O-ring
---	M AS161	Seal Carrier O-ring
---	N/A	MF3-16 O-ring
---	N/A	MF3-15 O-ring

+Recommended Spare Parts

MINIMUM ORDER VALUE - \$100.00 NET.

SOME PART NUMBERS DETERMINED BY RATIO AND/OR OPTIONAL FEATURES. ALWAYS PROVIDE SERIAL NUMBER OF DRIVE WHEN ORDERING PARTS FOR VERIFICATION.